

Product Technical Data Sheet

Siphon v1.0

Code and description

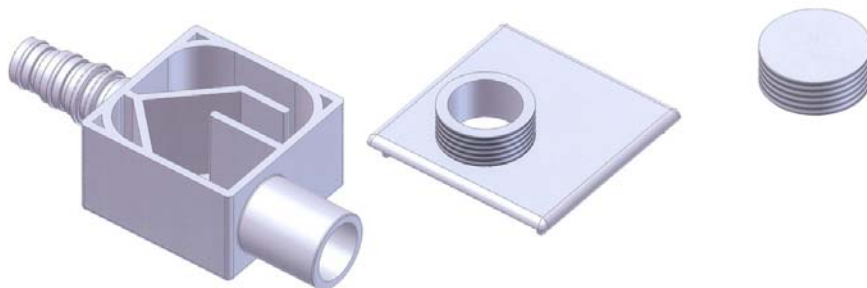
Castel Engineering range : Various Accessories

INJ.416 Sifon

photo



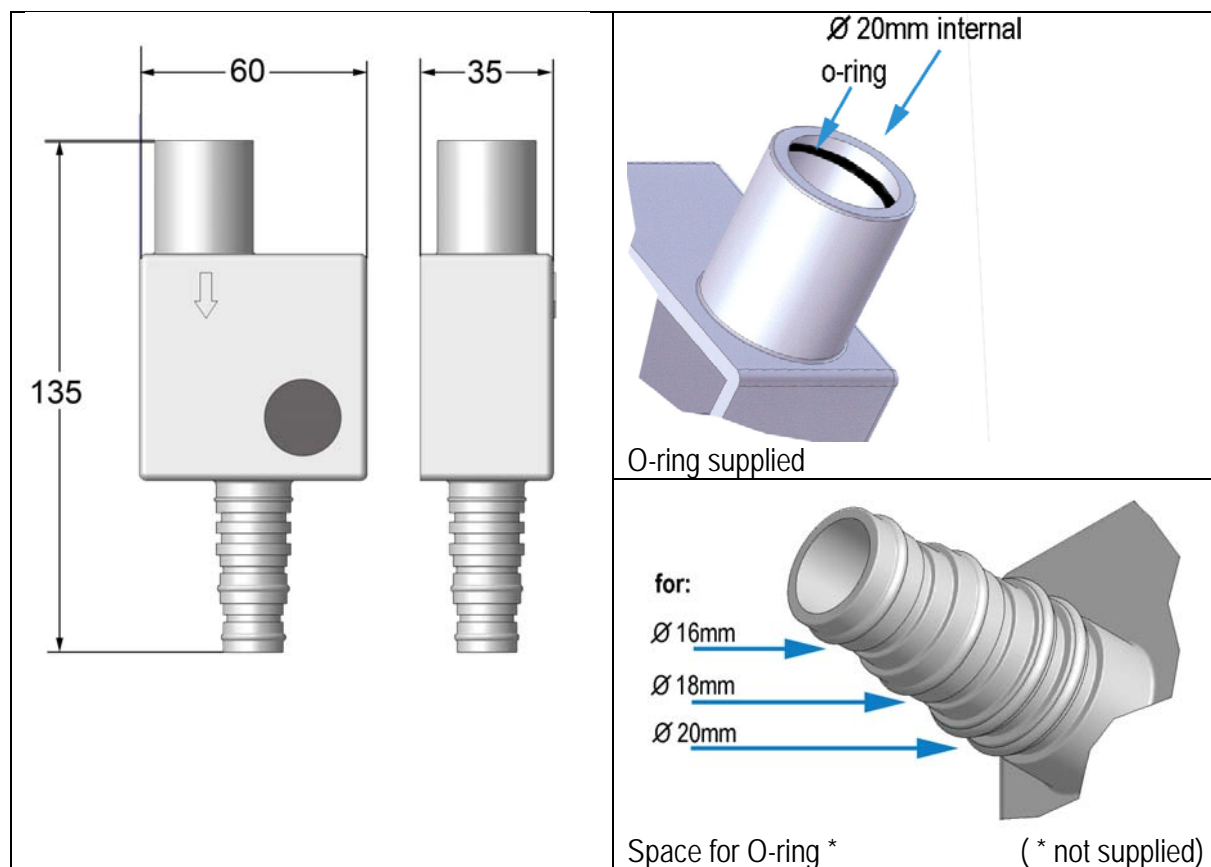
Technical drawing



The 2 parts are welded together.

Transparent PE screw cap M30*1,5mm.
For inspection and cleaning purposes.

Measurements



Material

HIPS High impact polystyrene

Available colours

Standard white

Packing information

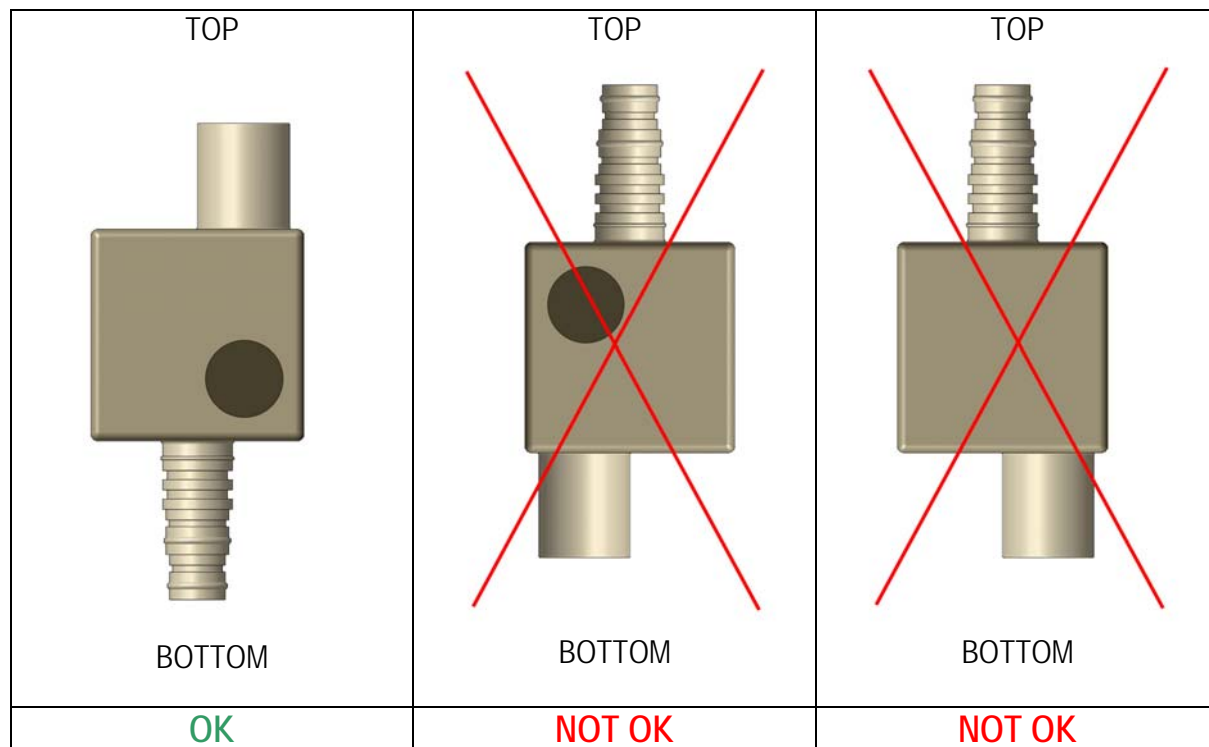
| Code | Packing | Measurements | weight |
|---------|---------|-----------------|----------|
| INJ.416 | 20pcs | 37 x 23 x 14 cm | +/- 2 Kg |

Application Information

For the outlet of condensation water from air conditioning devices (water without pressure) helping avoid malodorous smells from water stagnancy.
In any case the siphon must be installed in a levelled position.

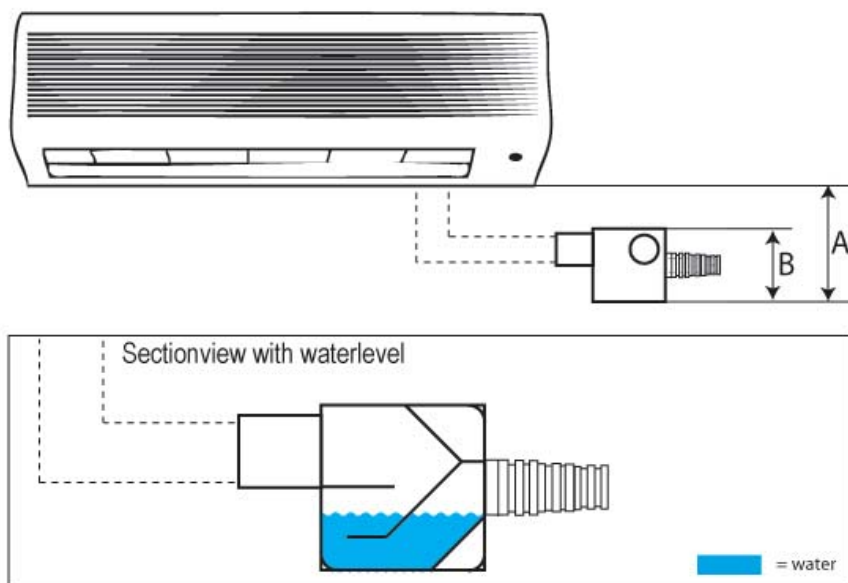
Characteristics

We recommend for vertical use only , and only as illustrated hereunder.



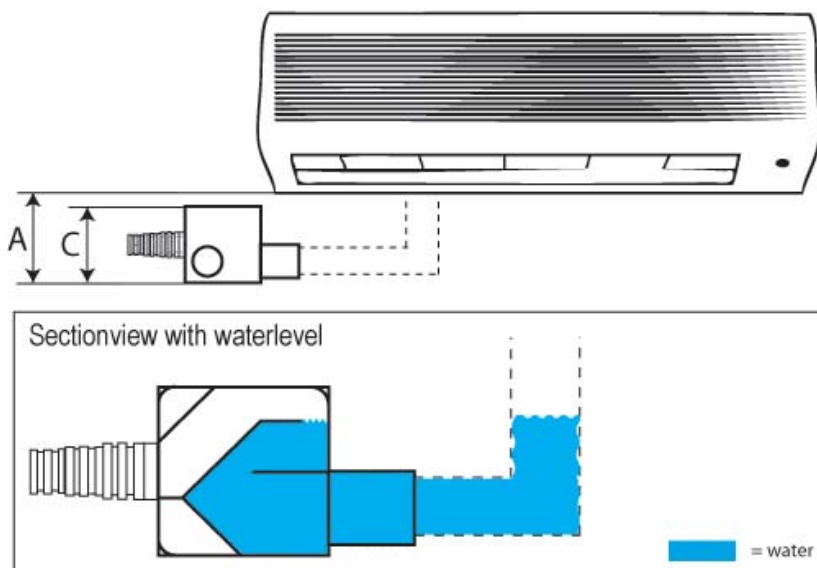
In case of use in horizontal position, though not recommended, consider the hereunder info as a reference help to avoid possible leakage problems.
 In any case the siphon must be installed in a levelled position.

1) Right



When above configuration 1) is used, please make sure distance A = or > distance B

2) left



When above configuration 2) is used, please make sure distance A = or > distance C