

TECHNICAL DATASHEET - FVDCO Pre-release- v2.0

PRODUCT FEATURES



Product range:



Group of products : Installation Accessories

Article code: **0503.00003.006**

Commercial ref.: **FVDCO
Foot Vibration Dampers**

APPLICATION

Anti-vibration foot damper set, to be installed on a flat surface for the support of "split" air conditioning condensers (=outdoor units)

MATERIAL

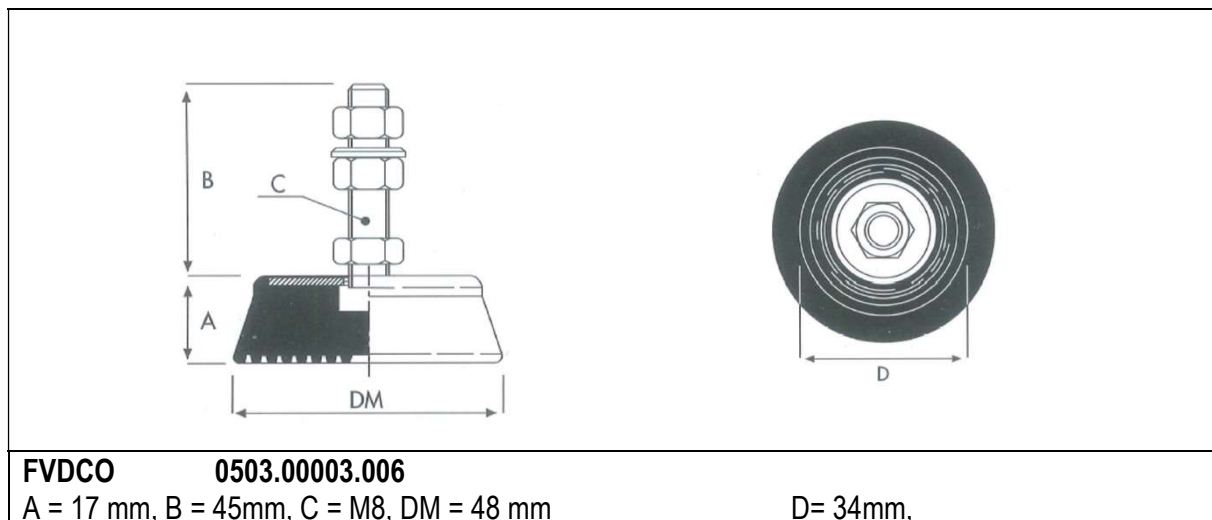
Natural Rubber - 60° SHORE A

COLOURS

The foot vibration dampers are available in black.

TECHNICAL DRAWINGS

*all sizes are expressed in mm. Tolerances apply.



MAXIMUM ADMISSIBLE LOAD

150 Kg per set of 4 pcs

PACKING INFORMATION**Order and packing information**

Article code	Commercial code	Packing	MOQ : per box
0503.00003.006	FVDCO	4 pcs / set	300 pcs (75 bags of 4 pcs)

Castel Engineering sprl, Rue de la Royenne 84, B-7700 Mouscron, Tel +32 (0) 56 33 68 40 – Fax. +32 (0) 56 33 78 10

Copyright © 2019 Castel Engineering sprl – All rights reserved.

"Those who in any way utilize the product(s) are solely responsible for determining (a) the suitability of the product for the intended use, (b) the appropriate manner of processing and maintaining the product to ensure safety and quality and (c) chemical, physical and health effects related to those activities, (d) to inform themselves in order to be able to decide if specific data are necessary for their intended use in respect to norms and regulations in application at the location of their intended use. "Performance data given in this document is provided as a guide for the user to determining suitability. Dimensions and weights are nominal and are not be used for manufacturing, even when tolerances are shown. Please read and understand this document before purchasing the product. Please contact your Castel Engineering representative if you have any questions or comments."

Unless specifically mentioned in the document, all data, whenever a notion of safety factor or safety parameter to be taken into account may implied or requested, is expressed without.

Customers, installers and third parties are solely responsible for damages or failures in performance resulting from misuse, abuse, neglect or improper handling, transporting or storage."

The qualified installer is supposed to have professional knowledge about compliance with local regulations, safety factors, choice of the installation location and product orientation, the evaluation of the supporting structure and elements, composition and surface, the adequate choice of fixing material and procedures in respect with the known climatic conditions in use and during installation.

Appropriate tools and materials for installation and for maintenance must be selected and used according to the professional know-how, in respect with the nature of our products and in compliance with all procedures and regulations in application at the location of installation.

We have to suppose that the supporting structure and elements on which the product(s) will be placed is resistant enough for the intended use.

All above parameters, factors, operations, regulations, compliances, controls and procedures are totally beyond Castel Engineering and its Affiliates' control. By selling this product Castel Engineering and its Affiliates acts in a simple sale – purchase transaction.

Castel Engineering and its Affiliates disclaim any and all responsibility and liability for the use of any such data, information and/or the relevant product.

All texts, representations, illustrations and drawings included in this document are the intellectual property of Castel Engineering and are protected by copyright law. All rights reserved, including translations rights. They are intended for illustration purposes only and may not be used to invoke nor imply whatever liability or responsibility to Castel Engineering and its Affiliates. No part of this document may be reproduced or transmitted in any form or by means, electronic, mechanical, photocopying or otherwise, without our written consent. The information in this document has been carefully checked and is believed to be accurate, however, no responsibility is assumed for clerical or typographical or proofreading errors or omissions. Due to the evolution of standards or materials or other reasons , the characteristics indicated by text or representations or illustrations or drawings in this document are not binding for us until our services have confirmed them. All data are subject to change without notice.

Castel Engineering and its Affiliates shall not be responsible for any kind of acts or occurrences beyond their reasonable control, including, without limitation: lightning, flood, hurricane, tornado, electro-static or any other similar natural cause, fire, explosion, power surge or failure, water, radiation, Force Majeure, war, revolution, civil commotion or acts of civil or military authorities or public enemy's: any law, order, regulation, ordinance, or requirement of any government or legal body or any representative of any such government or legal body; or labor unrest, including without limitation, strikes, slowdowns, picketing, or boycotts.