

### APPLICATION

RH-R heaters are used in mechanical ventilation systems where it is necessary to periodically raise the temperature or maintain the temperature at a constant level in the rooms. They can also be used in technological processes that require the supply of constant temperature air.

### CONSTRUCTION

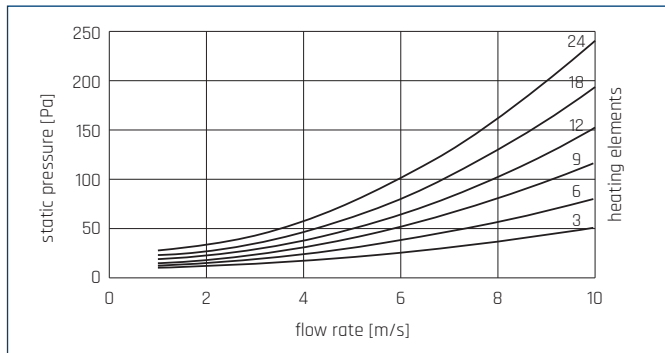
Electric duct heaters suitable for installation directly in rectangular ducts. The housing is made of galvanized sheet steel and stainless steel heating elements. The heaters are fitted with a double overheating protection system as standard: the first automatic element (temp. +75°C), the second one with manual reset (temp. +85°C). Channel heaters should be selected so that the outlet air temperature does not exceed +45°C. The airflow rate of the heaters must not be less than 1,5 m/s. On request, the device can be supplied in any color from the RAL palette.

### DESIGNATION and DIAMETER [mm]

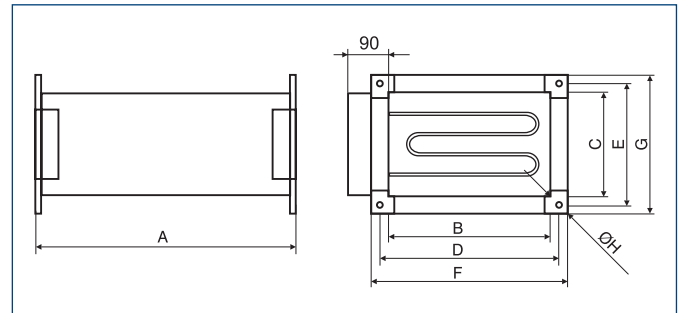
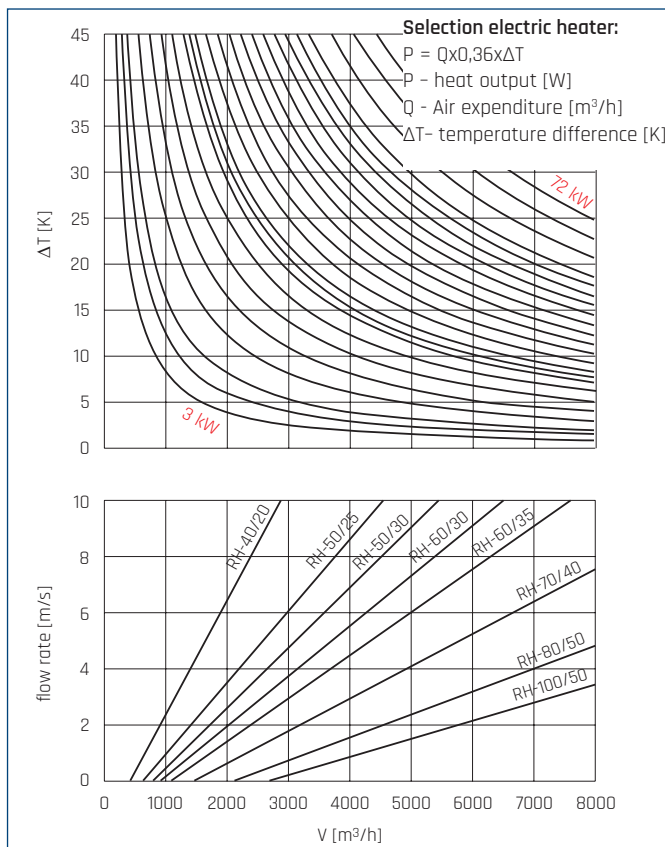
<b>RH</b>	<b>40/20</b>	<b>12</b>
1	2	3

1. Rectangular duct heater
2. Duct diameter width/height
3. Power factor: 12,0\*1000=12000W

### FLOW RESISTANCE DUCT HEATER RH



### SELECTION HEATER RH



Type	power [kW]	A	B	C	D	E	F	G	ØH
RH-40/20	3-6	320							
	9-12	500	398	198	420	220	440	240	9
RH-50/25	13,5-18	740							
	4,5-9	320							
RH-50/30	12-18	530	498	248	522	270	540	290	9
	21-27	740							
RH-60/30	4,5-9	320							
	12-18	532	500	298	522	320	540	338	9
RH-60/35	6-9	344							
	12-21	497	600	298	622	320	640	338	9
RH-70/40	24-30	650							
	6-9	344							
RH-80/50	12-21	497	600	348	622	370	640	388	9
	24-30	650							
RH-100/50	33-42	752							
	9-18	288							
RH-70/40	21-36	532	700	398	722	420	740	438	9
	39-54	777							
RH-80/50	60-72	1021							
	9-18	326							
RH-80/50	21-36	582	800	498	822	520	840	538	9
	39-54	800							
RH-100/50	60-72	1038							
	9-24	326							
RH-100/50	37-48	561	1000	498	1024	524	1056	556	13
	51-72	800							

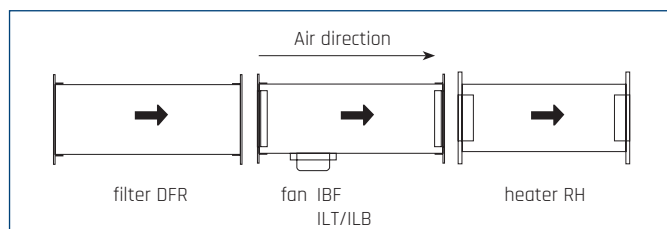
TABLE OF HEAT OUTPUT

Type	power [kW]	heating elements	voltage [V]	* size									
				40/20	50/25	50/30	60/30	60/35	70/40	80/50	100/50		
RH*-30	3	3	3x400	40511895									
RH*-45	4,5	3	3x400	40511900	40511935	40511956							
RH*-60	6	3	3x400	40511905	40511936	40511957	40511562	40511575					

1- choose duct diameters (np. 500x250 -> 50/25), 2-match power and power-supply (np. 4,5kW/3x400V), 3-read article number and heater type (e.g. 40511935 -> RH-50/25-45)

Type	power [kW]	heating elements	voltage [V]	* size									
				40/20	50/25	50/30	60/30	60/35	70/40	80/50	100/50		
RH*-30	3	3	3.10.400	40511895									
RH*-45	4,5	3	3.10.400	40511900	40511935	40511956							
RH*-60	6	3	3.10.400	40511905	40511936	40511957	40511562	40511575					
RH*-90	9	3	3.10.400	40511910	40511940	40511958	40511966	40511576					
		6	3.10.400						40511973	40511631	40511671		
RH*-120	12	6	3.10.400	40511911	40511945	40511959	40511564	40511577	40511601	40511977	40511985		
RH*-135	13,5	6	3.10.400		40511946	40511960							
		9	3.10.400	40511913									
RH*-150	15	6	3.10.400		40511947	40511961	40511566	40511969	40511602	40511633	40511673		
		9	3.10.400	40511914									
RH*-180	18	6	3.10.400		40511950	40511965	40511567	40511579	40511974	40511634	40511674		
		9	3.10.400	40511916									
RH*-210	21	6	3.10.400				40511568	40511581					40511675
		9	3.10.400		40511955	40511962							
		12	3.10.400						40511604	40511635			
RH*-225	22,5	9	3.10.400		40511951	40511963		40511970					
RH*-240	24	6	3.10.400										40511990
		9	3.10.400		40511952	40511964	40511569	40511582					
		12	3.10.400						40511605	40511978			
RH*-270	27	9	3.10.400		40511953	40511954	40511570	40511975					
		12	3.10.400						40511976	40511636	40511677		
RH*-300	30	9	3.10.400				40511571	40511584					
		12	3.10.400						40511607	40511637	40511677		
RH*-330	33	12	3.10.400						40511585	40511608	40511638	40511679	
RH*-360	36	12	3.10.400						40511982	40511609	40511979	40511995	
RH*-390	39	12	3.10.400						40511587			40511681	
		18	3.10.400							40511610	40511639		
RH*-420	42	12	3.10.400						40511588			40511682	
		18	3.10.400							40511611	40511640		
RH*-450	45	12	3.10.400									40511683	
		18	3.10.400							40511612	40511641		
RH*-480	48	12	3.10.400									40511684	
		18	3.10.400							40511613	40511642		
RH*-510	51	18	3.10.400							40511614	40511643	40511685	
RH*-540	54	18	3.10.400							40511615	40511644	40511686	
RH*-600	60	18	3.10.400									40511687	
		24	3.10.400							40511616	40511645		
RH*-630	63	24	3.10.400								40511646		
RH*-660	66	18	3.10.400									40511688	
		24	3.10.400							40511617	40511647		
RH*-720	72	18	3.10.400									40511689	
		24	3.10.400							40511618	40511980		

SUGGESTED ASSEMBLY



ACCESSORIES

thermostat <b>TS</b> p. 650	thermostat <b>TK-1</b> p. 650	regulator <b>PULSER</b> p. 651	regulator <b>TTC</b> p. 652