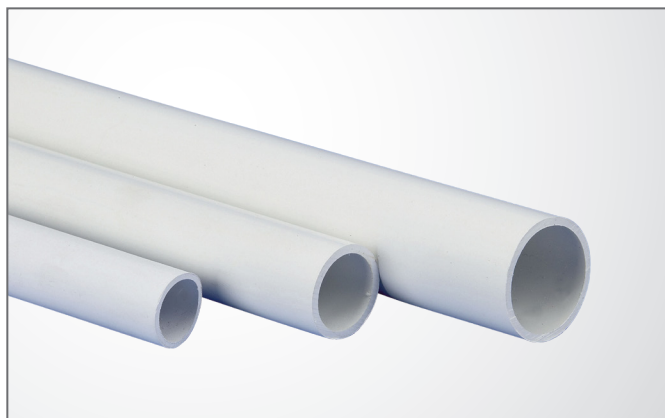


# Rigid Drain Pipes

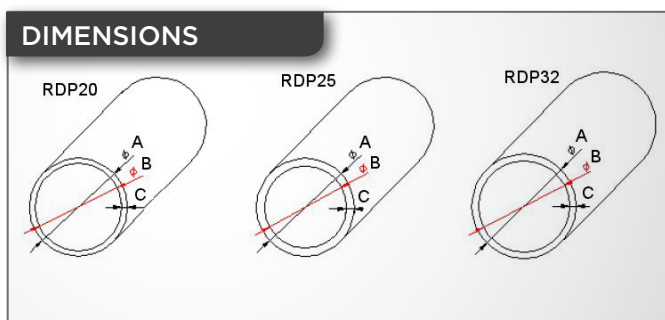
T.2.20



## APPLICATION

Drainage of air conditioning condensation water (waterflow without pressure)

## DIMENSIONS



Commercial Code	A	B	C
RDP20	20 mm	18 mm	1 mm
RDP20-TH	20 mm	16 mm	2 mm
RDP25	25 mm	22,5 mm	1,25mm
RDP25-TH	25 mm	20 mm	2,5 mm
RDP32	32 mm	29 mm	1,5 mm
RDP32-TH	32 mm	28 mm	2 mm

## PRODUCT INFORMATION

### Product Range:

Drainage

### Product Group:

Rigid Drain Pipe

Ref	Description
0513.00001.021	Rigid Drain Pipe RDP20 L=2m
0513.00001.038	Thick Rigid Drain Pipe RDP20-TH L=2m
0513.00101.021	Rigid Drain Pipe RDP25 L=2m
0513.00101.038	Thick Rigid Drain Pipe RDP25-TH L=2m
0513.00201.021	Rigid Drain Pipe RDP32 L=2m
0513.00201.038	Thick Rigid Drain Pipe RDP32-TH L=2m

## STANDARD COLOR

White

## MATERIAL

**Tubes;** Rigid PVC

**Connections:** ASA with O-ring for water tightness

## ADVISED WORKING TEMPERATURE

Minimum +0°C to Maximum +60°C

We can only recommend that positive temperatures (min. above +0°C) should be considered to avoid that, in case of accidental water stagnation, ice formation could possible damage the drain pipe (or drain hose) and perhaps other components.

# Rigid Drain Pipes

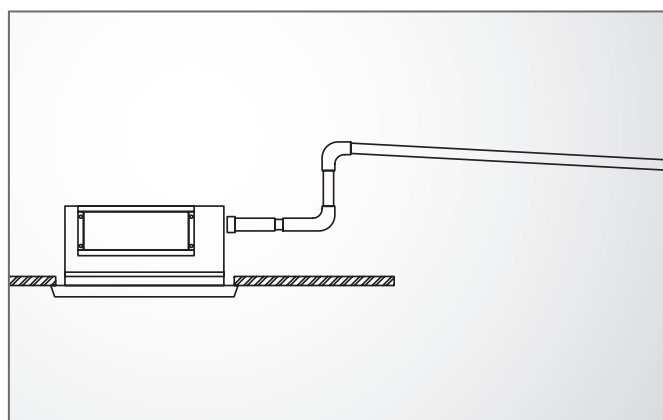
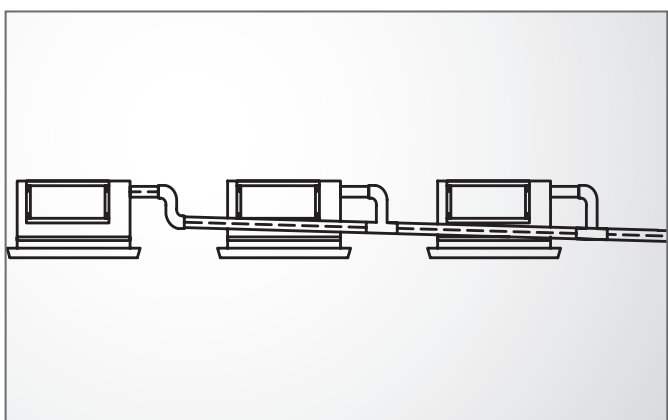
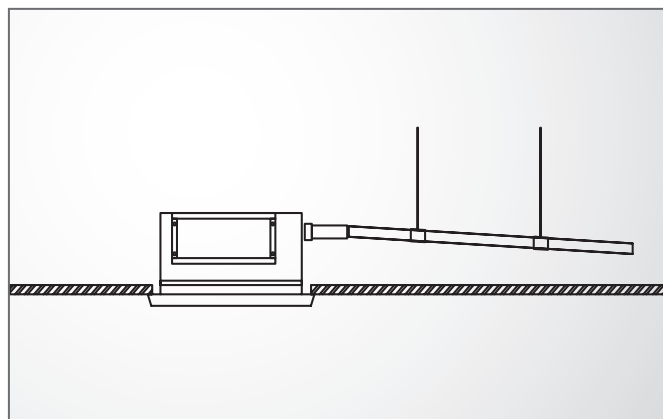
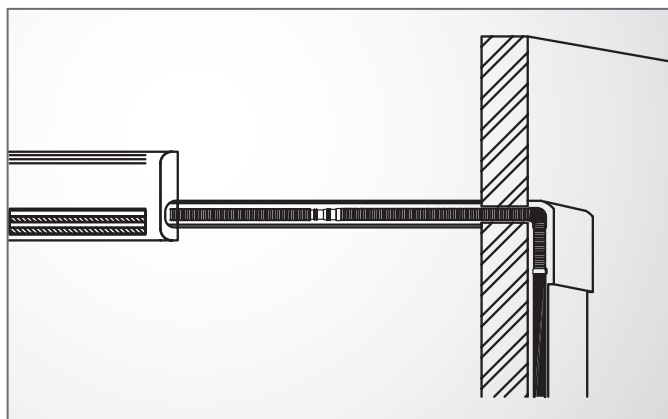
T.2.20

## INSTALLATIONS

We recommend the use of non-aggressive installation-grease to ease the pipe insertion.

Installation sketches are for illustration purposes only.

We recommend that you follow and comply with the instruction manual of the air conditioning device.



## CHARACTERISTICS

- The O-ring is pre-mounted so that the connections are delivered ready to use.

Properties (PVC)		Test Method
Relative Density	1,52	ISO 1183 (gr/cm <sup>3</sup> )
IZOD	>7	KJ/m <sup>2</sup> ; +23°C (ISO 179)
Tensile strength at yield	40,50	(N/mm <sup>2</sup> ; ISO 527-I)
Tensile strength at break	40	(N/mm <sup>2</sup> ; ISO 527-I)
Elongation at break	160%	(ISO 527-I)
Elongation at yield	3,0%	(ISO 527-I)
Elasticity module at bending	3700	(ISO 178)

# Rigid Drain Pipes

T.2.20

## RECOMMENDATIONS

- Non-aggressive installation-grease should be used.
- Rigid Drain Pipes should be bevelled before inserting them into RDP connections
- Rigid Drain Pipes should be bevelled before inserting them into a connection accessory

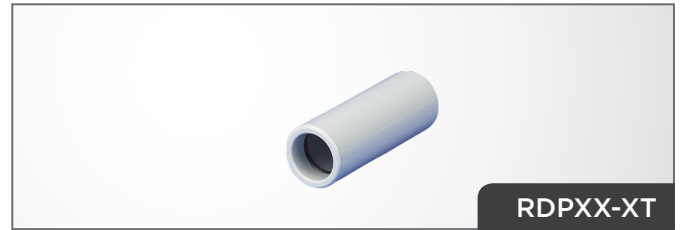
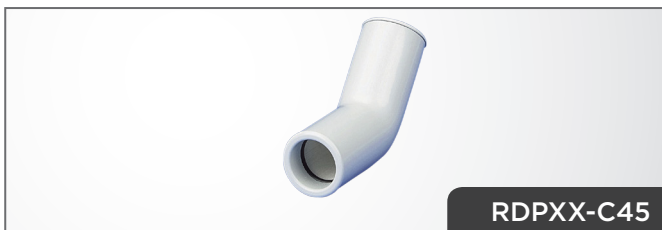
## STORAGE

Product is required to be stored in its original packaging, in a dry location sheltered from the weather conditions. Advised storage temperature range: +10°C and +50°C

## MOUNTING

Product must be handled and installed only by a professional. Admissible temperature range for installation: between +10°C and +50°C

## ACCESSORIES



# Rigid Drain Pipes

T.2.20

## ORDERING INFORMATION

Ref	Commercial Ref.	Min. Packing	packing Box
0513.00001.021	RDP20	10 x 2 lm / bag	4080 ml / PAL
0513.00001.038	RDP20-TH	10 x 2 lm / bag	4080 ml / PAL
0513.00101.021	RDP25	10 x 2 lm / bag	2600 ml / PAL
0513.00101.038	RDP25-TH	10 x 2 lm / bag	2600 ml / PAL
0513.00201.021	RDP32	10 x 2 lm / bag	1540 ml / PAL
0513.00201.038	RDP32-TH	10 x 2 lm / bag	1540 ml / PAL

## DISCLAIMER

Castel Engineering, Rue de la Royenne 84, B-7700 Mouscron, Tel +32 (0) 56 33 68 40 - Fax. +32 (0) 56 33 78 10  
Copyright © 2015 Castel Engineering - All rights reserved.

Castel Engineering and its Affiliates' liability terminates when the original packaging in which the product is contained, has been opened or damaged. Castel Engineering and its Affiliates' warranty is exclusively limited to providing a product of quality conform to their technical specifications.

Those who in any way utilize the product(s) are solely responsible for determining (a) the suitability of the product for the intended use, (b) the appropriate manner of processing and maintaining the product to ensure safety and quality and (c) chemical, physical and health effects related to those activities, (d) to inform themselves in order to be able to decide if specific tests are necessary for their intended use\* in respect to norms and regulations in application at the location of their intended use\*.

The product should be installed with respect to possible climatic and seismic conditions when in use and during the installation and in conformity to the installation instructions and recommendations of the manuals of the air conditioning device.

The qualified installer is supposed to have professional knowledge

Appropriate tools and materials for installation and for maintenance must be selected and used according to the professional know-how, in respect with the nature of our products and in compliance with all procedures and regulations in application at the location of installation.

All above parameters, factors, operations, regulations, compliances and procedures are totally beyond Castel Engineering sa and its Affiliates' control.

By selling this product Castel Engineering sa and its Affiliates acts in a simple sale - purchase transaction.

Castel Engineering and its Affiliates disclaim any and all responsibility and liability for the use of any such data, information and/or the relevant product.

All dimensions in this document are in mm unless otherwise specified. (Tolerances apply)

\* See application